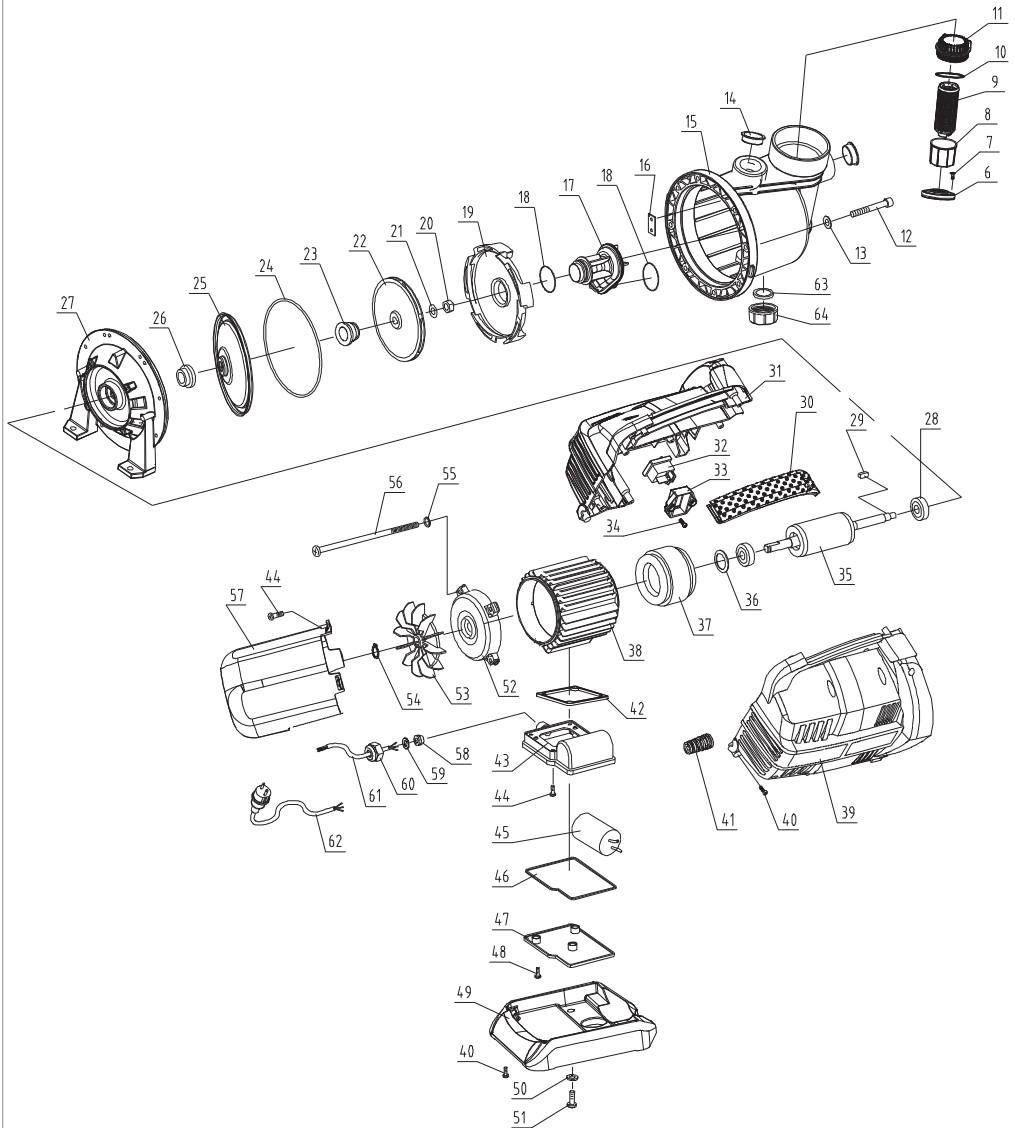


RDP-WP29 exploded view



PARTS LIST RDP-WP29

NO.	Description	Qty
6	valve seat	1
7	tapping screw	3
8	filter net	1
9	filter cup	1
10	O ring	1
11	Transparent gland	1
12	hexagon socket cap screws	8
13	flat washer	8
14	dust cap	2
15	pump head	1
16	sealing gasket	1
17	diffuser	1
18	O ring	2
19	diffuser plate component	1
20	nut	1
21	flat washer	1
22	impeller	1
23	mechanical seal	1
24	O ring	1
25	disk seal	1
26	thrower	1
27	front cover	1
28	bearing	2
29	key	1
30	hand shank	1
31	left shell	1
32	ship type switch	1
33	lock block	1
34	tapping screw	2
35	rotor	1
36	corrugated washer	1
37	stator	1
38	aluminium cover	1
39	right shell	1
40	tapping screw	10
41	cable sheath	1
42	sealing gasket	1

NO.	Description	Qty
43	terminal box base	1
44	cross recess pan head screw	7
45	12uFP2 capacitance	1
46	switch seal mat	1
47	terminal box lid	1
48	tapping screw	3
49	base	1
50	flat washer	2
51	hexagon socket cap screws	2
52	rear cover	1
53	fan	1
54	Washer on shaft	1
55	spring washer	4
56	hexagon bolt	4
57	wind scooper	1
58	switch seal mat	1
59	gasket	1
60	Cable pressure nuts	1
61	cable	1
62	r	1
63	O ring	1
64	nut	1
	cross recess pan head screw	1
	standard spring washer	1
	serrated lock washers external teeth	1
	ground strap	1
	yellow-green line	0.25
	NYLON CLOSE-END WIRI	1
	NYLON CLOSE-END WIRI	4
	ribbon	1
	lug plate	4
	lug plate	4
	two-sided film	0.06